



Manuale di Programmazione
Distributore automatico

Mod. **Eurosnacky Mignon RC**



Programming Manual for the
Vending machine

Mod. **Eurosnacky Mignon RC**



Programmierhandbuch
für Warenautomat

Mod. **Eurosnacky Mignon RC**



Manual de Programación
distribuidor automatico

Mod. **Eurosnacky Mignon RC**



Manuel de programmation
du distributeur automatique

Mod. **Eurosnacky Mignon RC**

* * * * *

*Programming manual for vending
machine model “EuroSnacky RC”*

VERSION SOFTWARE L1.01

DOCUMENT CHECKING TABLE		
Rev.	Raeson	Date
00	First release	01/12/2013
01	Aggiornamento alla nuova scheda elettronica con PVVMC_vers3p2	22/03/2021
02		
Signature		



INDEX

1.1	INTRODUCTION.....	4
1.2	PROGRAMMING MODE.....	5
1.3	COUNTER OF DISPENSED PRODUCTS	5
1.4	SETTING THE NUMBER OF SHELVES.....	6
1.5	SETTING THE NUMBER OF SHELVES PER EACH SELECTION	6
1.6	SETTING TIME SIGNALING PRODUCT SOLD OUT.....	6
1.7	SETTING THE STORAGE FUNCTION.....	7
1.8	STOCK INVENTORY.....	7
2.1	ERROR MESSAGES.....	8
2.2	TECHNICAL CHARACTERISTICS OF THE INPUT AND OUTPUT SIGNALS	9

1.1 INTRODUCTION

The vending machine model EuroSnacky RC is provided with two selections and can handle a maximum of 12 shelves of products. Each of the two selections may be associated with a number of shelves in sequence. On each selection, dispensing starts from the first shelf of the sequence set, and passes to the other shelves as the products are depleted. For proper operation of this mode you must enable and program the inventory function described in paragraph 2.1.

Dispensing of products will be processed through a clean contact closure across the terminals named "INPUT1" for selection 1 and "INPUT2" for selection 2. In order to achieve proper dispensing, the activation of the clean contact must be for a minimum of 100msec.

Depletion of the products on all the shelves that make up a selection will open a clean contact across the terminals "OUTPUT1" for selection 1 and "OUTPUT2" for selection 2. Duration of the signal of product sold out is determined by setting the parameter "buCr", as described in paragraph 1.6.

Product availability may be checked any time by pressing for an instant the button PSI. The display will show in sequence the number of products available on the selection 1 and 2.

Important Remark: *In order to ensure proper operation of the storage function, the machine must be refilled completely, which means that all the shelves that make up the two selections must be filled to the maximum of their capacity. After every refilling the inventory function must be activated, as described in point 2.1.1.*

1.2 PROGRAMMING MODE

To have access to the operating parameters you must get into the programming mode through the “service” button on the control panel placed in the technical compartment (see picture on the side).

To get back to normal operating mode, just press the “service” button again, or, after ~90 seconds without pressing any buttons, the machine will get off the programming mode automatically.

In the programming mode the display will show the message:

S S S S

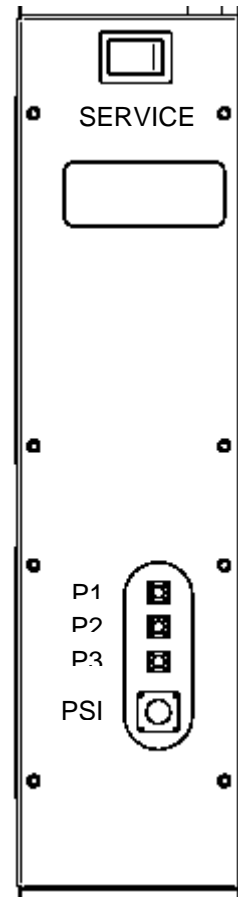
The function of the keys on the control panel is as follows:

Key **P1** : ↓ Allows to scroll the menu of functions / increases the values

Key **P2** : ↑ Allows to scroll the menu of functions / decreases the values

Key **P3** : **Enter / Save** Allows to get into a sub-menu, confirm the modification and then get off the main menu.

Tasto **PSI** : Inventory button. Holding this button for more than 3 seconds, inventory is reset. Instead, a short press of the button allows you to view in sequence the products available on each selection.



1.3 COUNTER OF DISPENSED PRODUCTS

In the menu **CCII** are the counters C1 and C2, where the number of products dispensed from each selection can be viewed.

Select the parameter **CCII** using the keys **P1** and **P2** and then press **P3** to get into the menu.

Select through the keys **P1** e **P2** the counter of the selection to be viewed (eg. C1).

The display will show the message:

C 1

Get into the menu by pressing the key **P3**. The display will show the count of dispensed products:

X X

Press **P3** to get off. All the counters can be reset using **CANC** at the end of the menu **CCII**. Confirm the cancellation through the key **P3**.

1.4 SETTING THE NUMBER OF SHELVES

In the menu **nuSE** you need to set the number of shelves present in the vending machine.

Select such menu using the keys **P1** and **P2**.

The display will show the message:

n u S E

Press **P3** to change the parameter.

The display will show the number of programmed shelves (12 by default):

12

Through the keys **P1** and **P2** increase or decrease such value up to the required value. Press **P3** to save.

1.5 SETTING THE NUMBER OF SHELVES PER EACH SELECTION

The parameter **bLoc** allows you to program the shelves to be associated with the Selection 1 and the shelves to be associated with the Selection 2. Select the parameter using the keys **P1** and **P2**.

The display will show the message:

b L o c

Press **P3** to change the parameter.

The display will show the shelf number (starting from the first on top) from which the Selection 2 starts. .

For example, setting **bLoc** = 4, the shelves 1÷3 will be driven by Selection 1, while the shelves from 4 to the last one will be driven by Selection 2. Set the required value and save pressing **P3**.

1.6 SETTING TIME SIGNALING PRODUCT SOLD OUT

When the products on a selection are sold out, a relay which indicates such status is activated.

On the menu **buCr** you may program the duration of action of the relays in case of products sold out.

Select such menu through the keys **P1** and **P2**.

The display will show the message:

b u C r

Press **P3** to change the parameter.

The display will show the number of seconds programmed (99 by default):

99

Through the keys **P1** and **P2** increase or decrease such value until the required value is reached. Press **P3** to save. Time is programmable from 1 to 99 seconds. Setting 99 seconds, the activation is permanent.

1.7 SETTING THE STORAGE FUNCTION

In the menu **coL** you will find the parameters C1 and C12 where you must program the number of products per each shelf. In this way, once the products on a shelf are exhausted, dispensing will pass on to the next shelf and so on, till complete depletion of products.

Select the parameter **coL** using the keys **P1** and **P2** and then press **P3** to get into the menu.

Through the keys **P1** and **P2** choose the shelf to be viewed (for example, C 1).

The display will show the message:

C 1

Get into the menu pressing the key **P3**. The display will show the number of products set (ex: 10):

10

Through the keys **P1** and **P2** increase or decrease such value until you reach the required value. Press **P3** to save and get off. In case of products sold out on one of the two selections, the display will show the message:

SOLd

1.8 STOCK INVENTORY

For a good operation of the machine, passing product dispensing from a shelf to another when on a shelf the products are sold out, it is essential to make an inventory operation on every machine refilling. Such inventory operation will restore the storage counters informing the machine that product refilling has been performed, and also advising the number of products on each shelf. For this purpose, **it is essential to fill**

every shelf of the machine completely otherwise you could lose control over the machine product inventory.

To perform the inventory operation, after refilling the machine just hold the key **PSI** for at least 3 seconds. As an alternative, in the programming mode, select **IIII** from the main menu through the keys **P1** and **P2**.

The display will show the message:



Then hold the key **P3** and, through the keys **P1** e **P2**, select (yes – no) to proceed with the inventory or not. Confirm the choice and get back to the previous menu.

2.1 ERROR MESSAGES

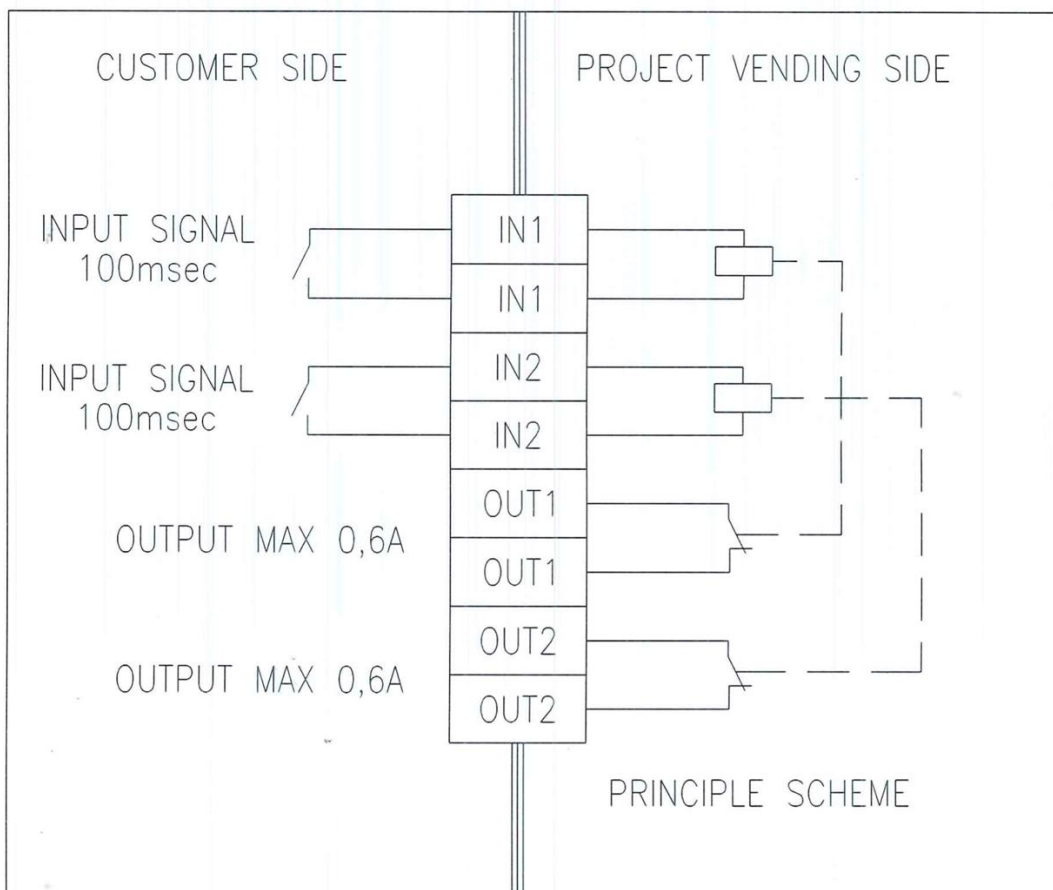
Wrong programming or some of potentially more dangerous failures are reported on the machine display allowing you to act quickly.

The table below summarizes some of the failures that may occur:

Error	Cause	Consequence	Possible solution
<i>Er 11</i> <i>12</i>	Breakage of self-stoppage of a motor or motor jammed (Er11 for Selection 1, Er12 for Selection2)	All the selections are disabled.	Replace the damaged motor or remove the cause of stoppage. Switch off and restart the machine.
<i>Er 21</i> <i>22</i>	One or more product dispensing motors do not operate. (Er21 for Selection 1, Er22 for Selection 2)	The selection where the failure has occurred is disabled. The machine continues working regularly.	Replace the non-operating motor. Switch off and restart the machine.

2.2 TECHNICAL CHARACTERISTICS OF THE INPUT AND OUTPUT SIGNALS

Name	Type	Characteristics of voltage/current
<i>INPUT1</i>	Optically isolated input	Do not apply any voltage Close by clean contact
<i>INPUT2</i>	Optically isolated input	Do not apply any voltage Close by clean contact
<i>OUTPUT1</i>	Relay output	Max 125 Vac 0.6A Max 60 Vdc 0.6A
<i>OUTPUT2</i>	Relay output	Max 125 Vac 0.6A Max 60 Vdc 0.6A



SEE POINT 1.1 INTRODUCTION OF THE PROGRAMMING MANUAL
(VEDI PUNTO 1.1 INTRODUZIONE DEL MANUALE PROGRAMMAZIONE)